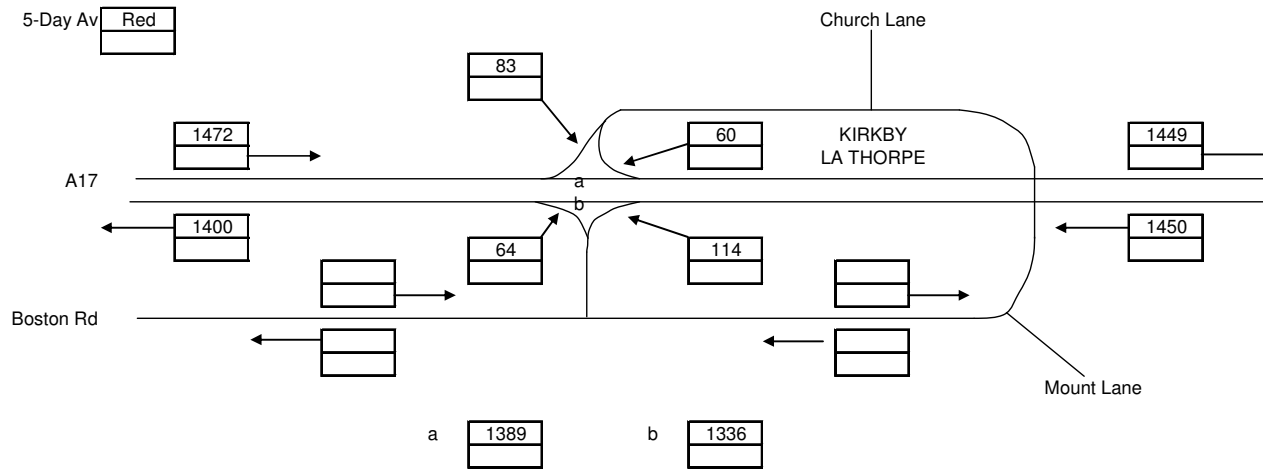
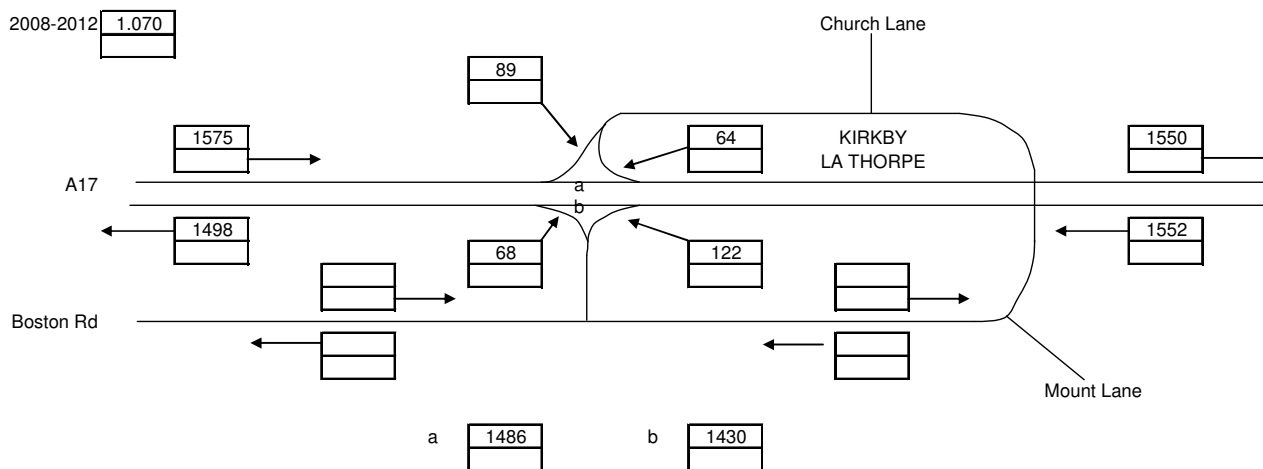


12hr (07:00-19:00) Background HGV / PSV Demand - 2008



12hr (07:00-19:00) Background HGV / PSV Demand - 2012



Appendix K(i)

2008 / 2012 Background HGV (OG1&OGV2) / PSV
Traffic Demand on local network – 12hr (07:00-19:00)

552-01

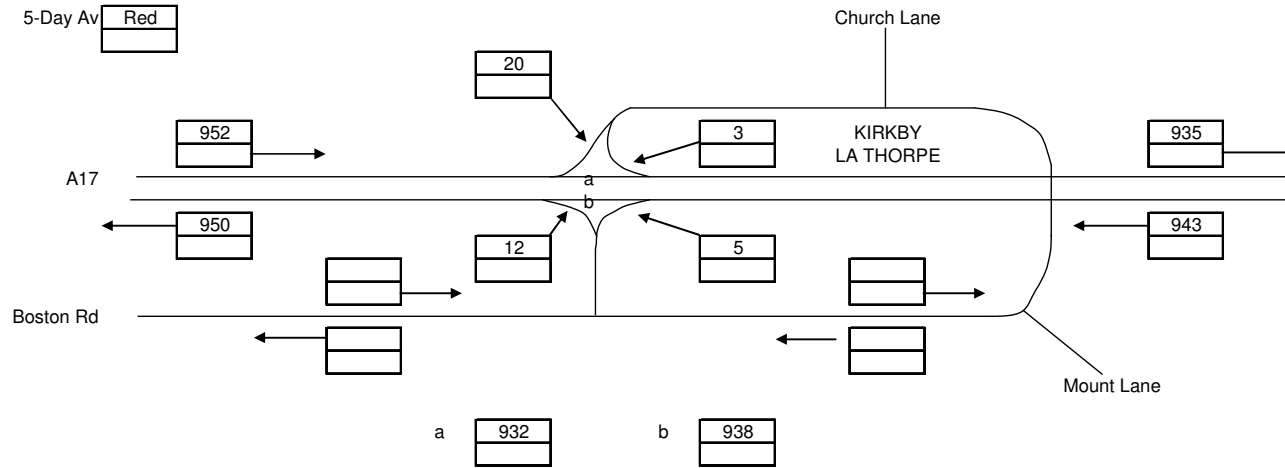
Sleaford REP

April 2008

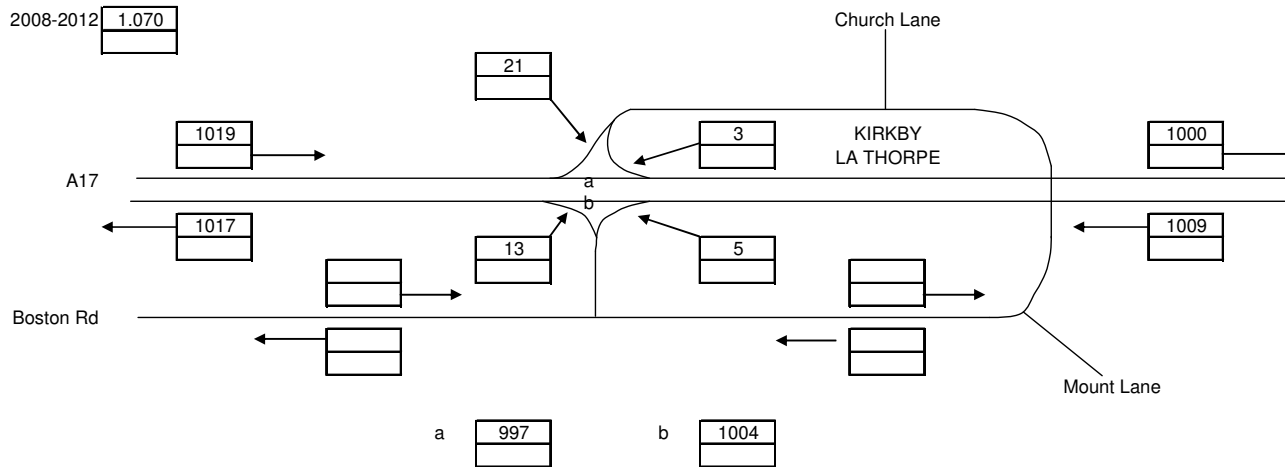


Camellia House
76 Water Lane,
Wilmslow
Cheshire, SK9 5BB

12hr (07:00-19:00) Background OGV2 Demand - 2008



12hr (07:00-19:00) Background OGV2 Demand - 2012



Appendix K(ii)

2008 / 2012 Background OGV2 / PSV Traffic Demand
on local network – 12hr (07:00-19:00)

552-01

Sleaford REP

April 2008



Camellia House
76 Water Lane,
Wilmslow
Cheshire, SK9 5BB